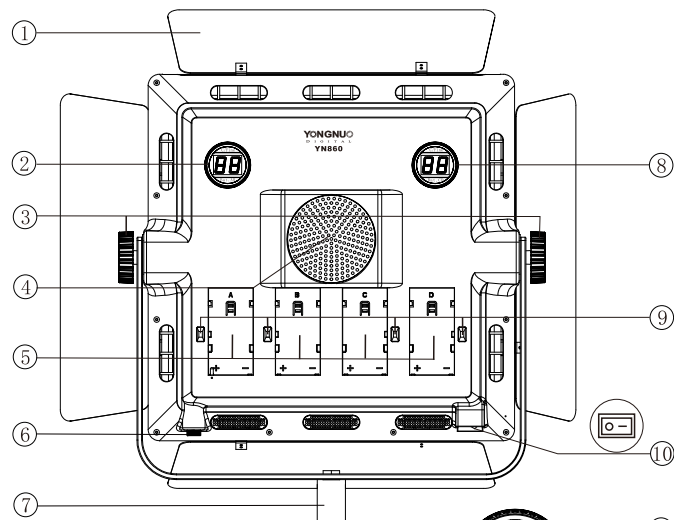
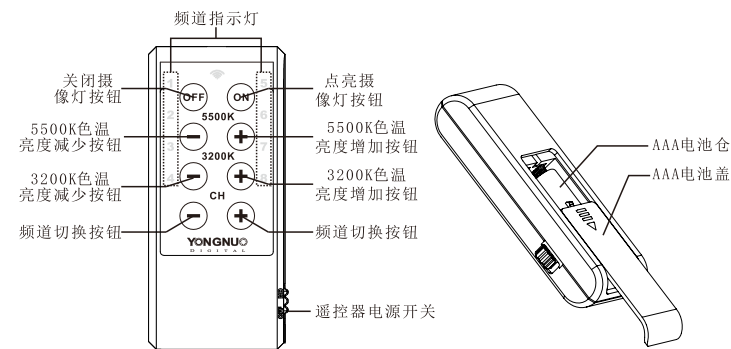


产品结构



- 1、反光板
- 2、5500K色温灯珠亮度调节旋钮
- 3、支架固定旋钮
- 4、散热孔
- 5、电池槽
- 6、航空插头
- 7、三脚架接口
- 8、3200K色温灯珠亮度调节旋钮
- 9、电池锁扣
- 10、电源开关按钮
- 11、5500K粗/细调切换按钮（长按进入切换频道模式）
- 12、A、B电池测电量按钮
- 13、LED数码显示屏
- 14、3200K粗/细调切换按钮（长按进入切换频道模式）
- 15、C、D电池测电量按钮
- 16、柔光板锁扣

遥控器结构

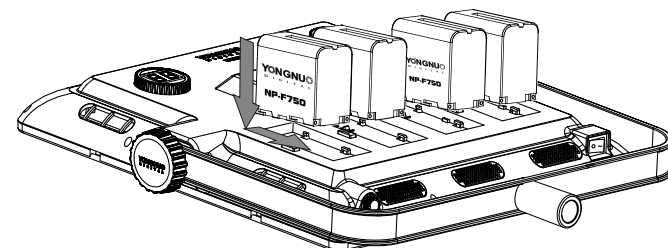


安装和固定

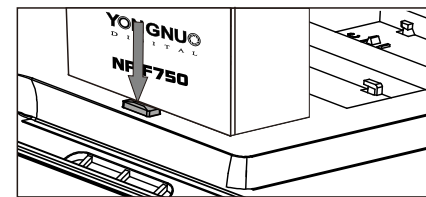
1、安装电池

安装锂电池时按箭头方向将电池装入卡槽；安装两个电池时（即AB或CD电池供电工作），能点亮300颗灯珠，相应的其他功能均可正常使用，当安装四个电池时（即ABCD四个电池一起供电工作），点亮600颗灯珠。

注：使用电池工作时需要两个或四个电池摄像灯才能正常使用。建议使用永诺NP-F750电池来获得更持久的拍摄体验，此电池容量高达5200mAh在最高亮度下可持续使用约90分钟，不使用时请取下电池。

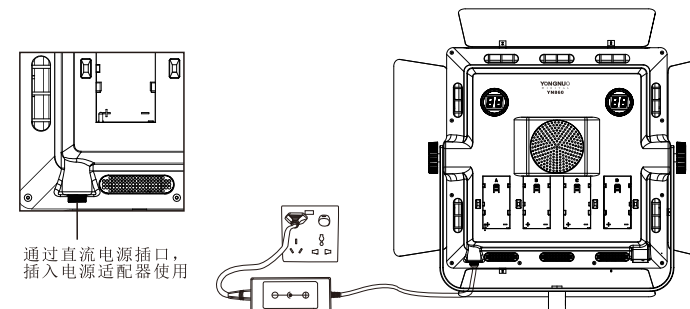


2、拆卸锂电池时，请先按下电池锁扣再取出锂电池

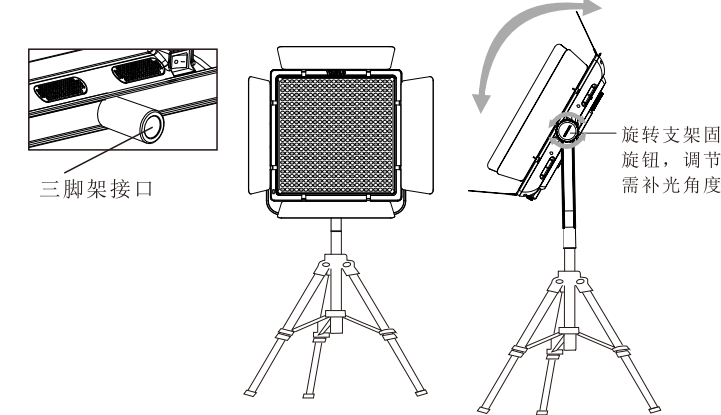


3、外接电源供电

使用永诺19伏6安电源适配器，以获得摄像灯的长时间工作。当使用外接电源，插入后再旋转拧紧航空插头。输入电压为19伏，电流为6安。
注：如使用其他电源适配器造成的产品故障，不予保修。



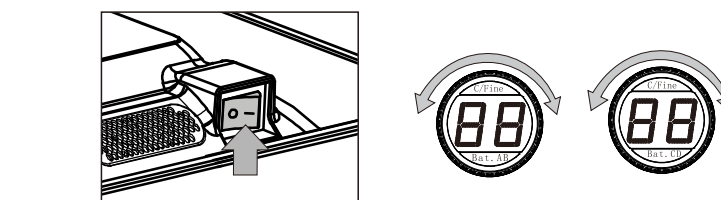
4、固定在三脚架上使用



使用方法

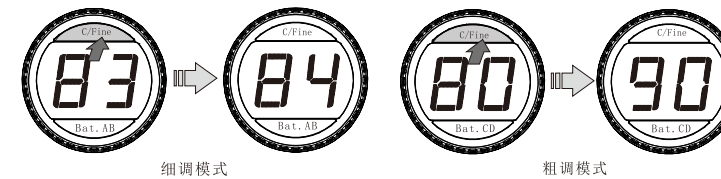
1、开关机及亮度调节

先安装电池或插入DC电源，再按电源开关，LED摄像灯点亮，向右旋转增加亮度，向左旋转减小亮度。



2、粗/细调切换按钮

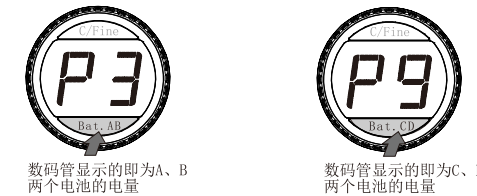
粗调、细调模式，使用更方便。按下C/Fine按钮进行粗细调的切换，切换到Coarse模式亮度按10%为一个调节单位，再按下此按钮切换到Fine模式亮度按1%为一个调节单位。



3、电量测试

短按Bat. AB电量测试按钮进行电量测试，此时数码管显示的读数则为A、B两个电池电量。短按Bat. CD电量测试按钮进行电量测试，此时数码管显示的读数为C、D两个电池电量。如下图A、B两个电池的电量显示为30%，C、D两个电池的电量显示为90%。

注：低亮度时测试与高亮度时测试剩余电量是不相同的，测的是当前亮度下，可以使用时间的长短，且外接电池供电时，按测试电量显示DC。

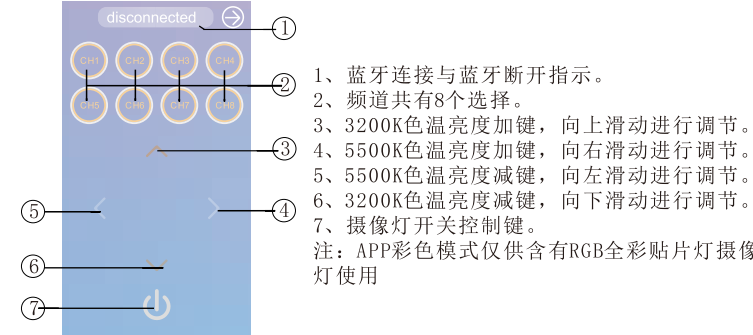


4、频道切换按钮

长按色温粗细切换按钮C/Fine约2秒，进入切换频道切换，短按切换频道到您所需要的频道，再次长按约2秒退出切换频道。切换遥控器接收频道，显示屏上出现CH1到CH8，假设此时切换至频道H2，则也将遥控器的频道调至CH2发射频道此时遥控器就可以调节摄像灯。如您购买多台此型号的摄像灯，可以分组控制亮度与开关，最多可分8组。（遥控器面板上可以显示有1-8的数字每个数字则对应相应的频道，通过CH按钮来切换频道）。

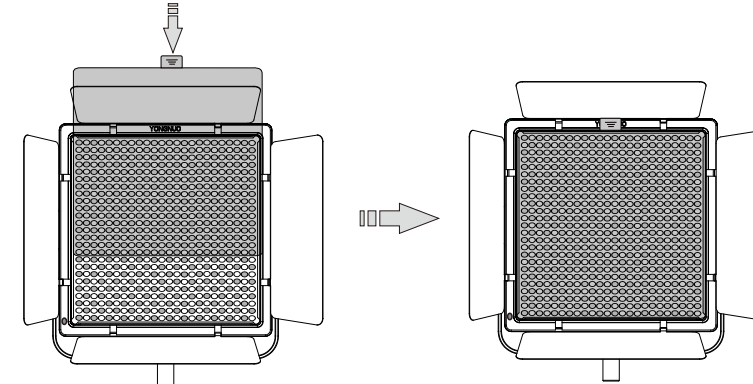
5、手机APP遥控

本产品支持手机遥控APP可以从永诺官网下载或通过彩盒二维码扫描点击下载。以下是APP控制页面说明：



6、更换色温板

本产品附带2块色温板，将色温板从摄像灯前壳上方放入即可使用，取下色温板时，请按上色温板锁扣。注：取下色温板后，才能折起反光板。



故障分析及排除

在使用过程中，您可能遇到以下问题：

| 故障 | 原因 | 处理方法 |
|--------------------------------|---|---------------------------------|
| 打开电源开关完全无反应 | 电池电量不足 电路板损坏 | 使用新电池或外接电源使用 返厂维修 |
| 亮度不足，调至最亮仍然很暗 | 电池电量不足 | 使用新电池或充电后使用 |
| 测试电量不准确，调高亮度时显示低电量，调低亮度后电量又满格了 | 电池电量测试所指示的是，当前亮度下能使用的时间长短，调高亮度后，需要的电量更多，所使用的时间变短，故电量显示变少了 | 属于正常现象，无需处理 |
| 无法遥控摄像灯 | 距离太远 遥控器与摄像灯不在同一频道 | 遥控的距离在15米内 参照说明书“频道切换”重新设置频道 |

本手册中的功能是依据本公司的测试条件获得，设计和规格如有变更，恕不另行通知

深圳市永诺摄影器材股份有限公司
地址：深圳市坪山区坑梓街道深福保现代光学厂区A座
电话：0755-8376 2448
网址：www.hkyongnuo.com
生产地址：深圳市龙华新区大浪街道大浪社区华宁西路
东龙兴科技工业园2#厂房四楼、五楼东侧
售后电话：400-0013-888

感谢您使用YN860摄像灯，在使用产品前，请认真阅读说明书并妥善保管以便查阅。

功能简介

- 1、YN860是永诺针对专业摄影需求开发的首款超大功率的LED摄像灯，具备超大补光角度、色温控制精准、配备U型支架，可360度调节补光等实用功能，适用于各类摄影场地需求，满足你的各类补光需要。
- 2、YN860采用600颗直径8mm超高显指灯珠构成超大面积发光源，亮度更高，补光角度更广阔。
- 3、YN860支持手机遥控设置调节，可在官网下载手机APP，通过手机控制LED摄像灯，读取当前LED摄像灯的亮度及分组频道，可分别控制8组摄像灯的开关及亮度，让您随心所欲的控制LED摄像灯，轻松完成摄影需要。
- 4、YN860配置多频道无线遥控器，可以遥控调节摄像灯的开关及亮度，同时最高支持8组摄像灯的分频控制，让您的调节更简便。
- 5、YN860支持双电源输入，支持NP-F系列电池和外接专用直流电源，满足你各类环境的使用需要。
- 6、YN860采用永诺特有的LED恒流驱动技术，拍摄时摄像灯绝不出现波纹、频闪等现象。
- 7、YN860采用双LED数码显示屏，显示效果更立体，查看功率输出更直观。
- 8、YN860采用大直径散热风扇，摄像灯工作时噪音小、散热效率更高，长时间工作机身也不发烫。
- 9、YN860配置专业U型支架，方便快捷调整补光角度，并配备专用收纳袋，方便外拍携带。

注意事项

- 1、使用时请将摄像灯处于通风环境，并保持摄像灯散热风扇与散热孔不被堵塞。
- 2、请勿私自拆卸产品，如产品出现故障须本公司或授权维修人员处理。
- 3、设备运行时请不要近距离直视光线。
- 4、请勿在易燃易爆和暴露雨中使用。
- 5、请勿让儿童接触本产品。

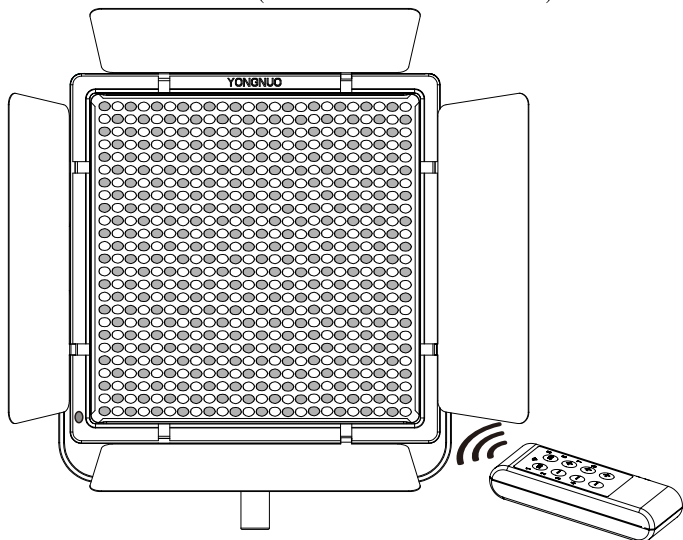
产品规格

| | | | |
|------|-------------|------|--------------|
| 光源 | 600颗灯珠 | 光照角度 | 55° |
| 色温 | 3200K和5500K | 外接电源 | 19伏6安直流电源 |
| 显色指数 | 大于或等于95 | 平均寿命 | 50000小时 |
| 输出功率 | 86瓦 | 流明值 | 11466LM |
| 重量 | 3130克 | 彩盒尺寸 | 475*460*75毫米 |
| 适用电池 | 4个NP-F系列锂电池 | 遥控距离 | 小于15米 |

所含物品:摄像灯(1)、说明书(1)、收纳袋(1)、遥控器(1)、色温板(2)
注：如有缺失请与经销商联系

YN860

Pro LED Video Light
(User manual for 3200K-5500K)



Thank you for using the YN860 LED video light. Please read the manual carefully and keep this user manual properly for reference.

Function Introduction

- The YN860 is the YONGNUO first super powerful LED video light developed for the professional photographic requirement. YN860 with huge fill lighting angle, accurate color temperature, equipped u-shaped bracket, 360 fill light and practical powerful features, which suitable for all kinds of photography sites and meet your lighting needs.
- The YN860 adopts 600 ultra-high index LED lamp beads in diameter of 8mm which form super large light-emitting area, higher brightness and wider fill light angle.
- The YN860 supports mobile phone remote control setting adjustment. You can download the APP from the official website to control the LED video light through the mobile phone, to read the current luminance and channel of the LED video light. It can respectively control 8 groups of luminance and power switch of the video light, allows you control the LED video light as needed, easy to complete the photographic needs.
- The YN860 is equipped with multichannel wireless remote control, you could remote control the switch and luminance, simultaneously supports up to eight groups of LED light frequency control, allows you to adjust more easily.
- The YN860 supports double power supply modes, support NP-F series lithium batteries and external special DC power supply, to meet your demand of use in different environment.
- YN860 adopts YONGNUO exclusive LED constant current drive technology, definitely not appear the corrugated, stroboscopic and other negative phenomena when shooting.
- YN860 adopts dual LED digital display screen, the display effect will be more stereoscopic, and view the power output more intuitive.
- YN860 adopts large diameter fan cooling, small noise at working and the higher cooling efficiency to solve the burning hot problem for long working hours.
- YN860 is equipped with professional u-shaped bracket for convenient and quick light angle adjustment, and provide the storage bag is convenient for outdoor carry.

precautions

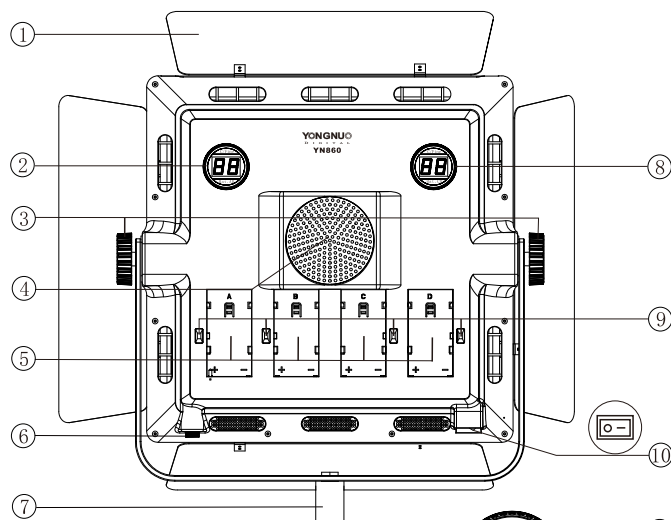
- This product should be used under the ventilated environment. Please make sure the heat emission hole won't be blocked when you are using this speed-lite.
- Do not disassemble the product, maintenance or repair of this product should be carried through by technical maintenance personnel of our company or technical maintenance personnel authorized.
- When the equipment is running, do not look into the light directly and closely.
- Do not use this product in flammable and explosive place, or where it can be exposed to moisture.
- Please keep this product away from the children.

Product Specificaion

| | | | |
|-----------------------|---------------------------------------|-----------------------|------------------------|
| Light Source | 600 LED lamp beads | Luminance Angle | 55° |
| Color Temperature | 3200K-5500K | External power source | 19V 6A DC power supply |
| Color Rendering Index | ≥95 | Average Service Life | 50000H |
| Output power | 86W | Lumen | 11466LM |
| Weight | 3130G | dimension | 475*460*75MM |
| Compatible batteries | Four NP-F750 series lithium batteries | Control distance | <15M |

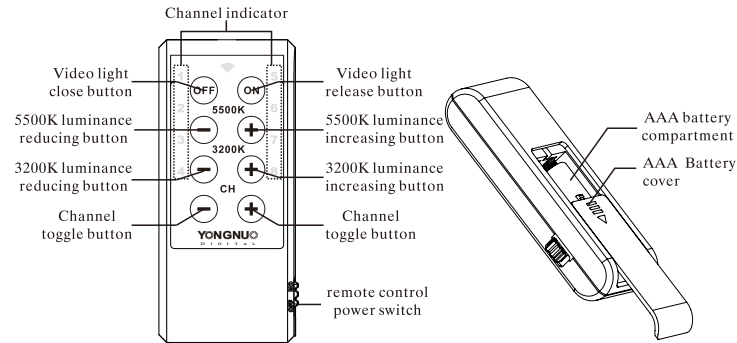
Contents: Video light (1); user manual (1); storage bag (1); remote controller (1); color temperature filter (2) Note : Please contact your dealer if the contents missing.

Product Structure



- Reflector
- 5500K color temperature intensity adjusting knob
- Bracket knob
- Heat abstractor
- Battery slot
- Aviation plug
- Tripod interface
- 3200K color temperature intensity adjusting knob
- Battery lock
- Power switch
- 5500K Coarse/Fine button (Long press to enter the channel switch mode)
- A/B Battery capacity testing button (Batt button)
- LED digital display screen
- 3200K Coarse/Fine button (Long press to enter the channel switch mode)
- C/D battery capacity testing button (Batt button)
- Softbox lock

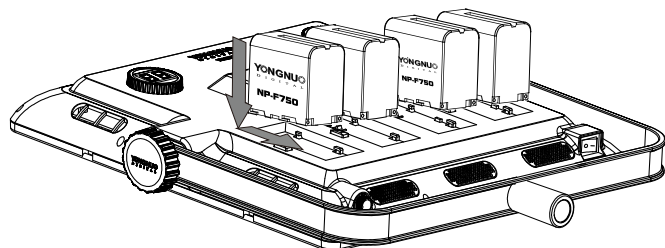
Remote Controller Structure



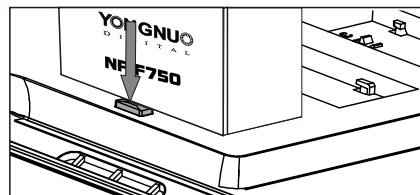
Installation and fixed

1. Battery Installation

When installing the lithium battery, please put the battery into the slot in the direction of the arrow. Generally, when you put two batteries (batteries A, B or C, D), 300pcs of LED lights up and the corresponding functions works normally; when you put four batteries (batteries A, B, C and D), 600pcs of LED lights up.
NOTE: It's recommended to use YONGNUO NP-F750 battery to get a more lasting shooting experience. The battery capacity of YONGNUO NP-F750 reaches up to 5200mAh. When YN860 is set to the maximum luminous intensity, it will keep working about 90 minutes. Please take the batteries out when this video light is not used.

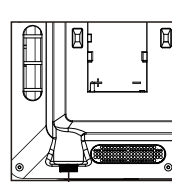


2. When removing the lithium batteries, please press the battery lock and then take out the lithium batteries.



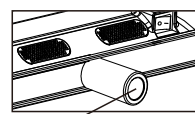
3. External power supply

To ensure the long working time of this video light, you can use it with special DC adapter made by YONGNUO. When you use YN860 with external power supply, please insert it to the port, rotate and screw up the aviation plug. The input voltage is 19V, and the electric current is 6A. Note: This video light is not under guarantee if the malfunction is caused by using DC adapter of other brand.

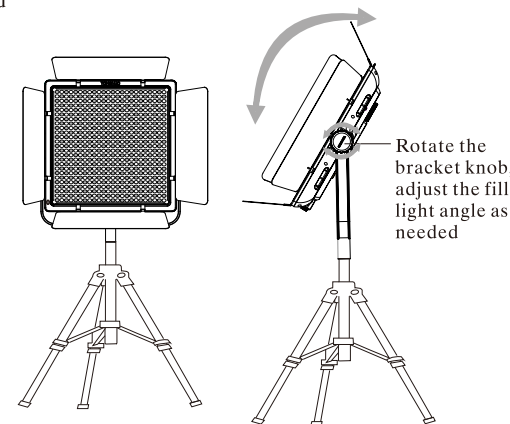


Use by inserting the power adapter through DC power hub

4. Use on fixed tripod



Tripod interface

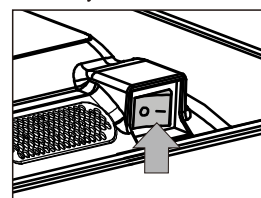


Rotate the bracket knob, adjust the fill light angle as needed

Method Application

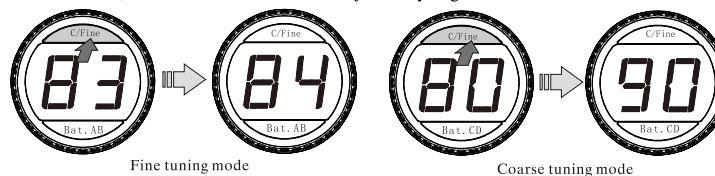
1. Start up & Shut down and Brightness adjustment

Install the batteries or plug into DC main firstly and then press and then press power switch to light up the LED video light. Rotate towards the right to increase the luminous intensity and rotate towards the left to reduce the luminous intensity.



2. Coarse/Fine adjusting Switch Button

There are two tuning modes for YN860. One is fine tuning mode, the other one is coarse tuning mode. It's more convenient for the users to use YN860 with these two tuning modes. The tuning modes can be switched by pressing Fine/Coarse button. When it's switched to Coarse mode, the luminance can be 10% adjusted by degrees. Press the button again to switch to Fine mode, the luminance can be 1% adjusted by degrees.



3. Battery Electricity Quantity Test

When you short press Bat.AB battery capacity testing button, the reading shows on the Nixie tube is the battery capacity of A/B battery. When you short press Bat.CD battery capacity testing button, the reading shows on the Nixie tube is the battery capacity of C/D battery. As shown in picture below, the capacity of A/B battery is 30%; C/D is 90%.

Note: The battery remaining capacity tested when the luminous intensity is low will be different from the battery remaining capacity tested when the luminous intensity is high. The battery capacity tested is how long the service time of YN860 will last under the current luminous intensity. When using the external power supply, you press the battery capacity testing button, the screen will shows DC.



Capacity of A/B battery is shown on the Nixie tube



Capacity of C/D battery is shown on the Nixie tube

4. Channel Switching Button

Hold the color temperature Coarse/Fine Adjusting Switch Button C/Fine for around two seconds to enter the channel switching. Short press to switch the channel you need, then hold around two seconds to quit channel switching. Switch the remote reception channel, the display screen appears CH1 to CH8, assuming the channel of video light switch to H2, the channel of the remote controller will be also adjusted to CH2 transmit channel (as the right picture shown), then the remote controller can control the video light. If you have more than one unit of the same model, the luminance and power switch can be controlled by grouping, at most divided into eight groups. (The LCD display screen of the remote controller can show CH1-8, and each one corresponds to a channel. The channel can be switched by pressing CH button.)

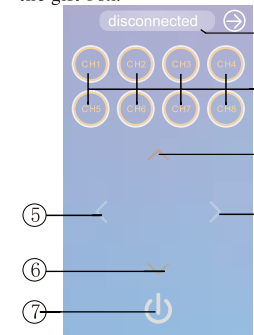


Adjust the channel of the video light to the channel needed

Adjust the channel of the remote controller to the same channel as the video light by adjusting CH+/CH- of the remote controller

5. Mobile APP Remote Control

The product supports mobile remote control, the APP can be downloaded from the YONGNUO official website or download through scanning the two-dimension code on the gift box.

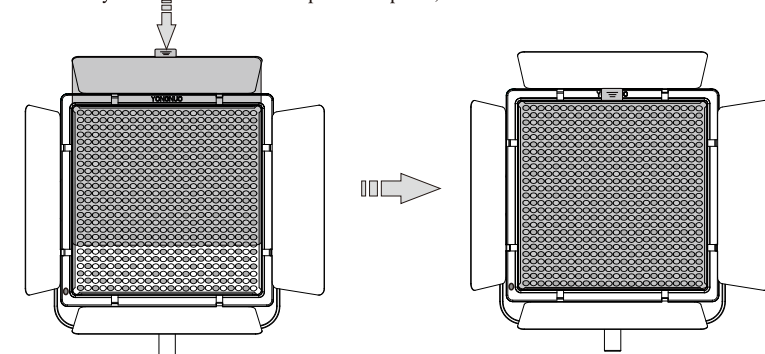


The APP Control Page Specification

- Bluetooth connection and disconnection option
 - Total 8 channels.
 - 3200 color temperature luminance increased button, slide upward to adjust.
 - 4500 color temperature luminance increased button, slide towards the right to adjust.
 - 5500 color temperature luminance decreased button, slide towards the left to adjust.
 - 3200 color temperature luminance increased button, slide downward to adjust.
 - Video light switch button.
- Note: APP color mode only for containing RGB full-color SMD video light use

6. Change color temperature plate

The product is equipped with two pieces of color temperature plates. Place the color temperature plate on video light shell to use. When taking down the color temperature plate, please press the color temperature plate lock. Note: Only remove the color temperature plate, can be folded the reflector.



Failure Analysis and Troubleshooting

When using this product, you may encounter the following problems:

| Description | Cause | Troubleshooting |
|--|---|--|
| No reaction after power on | Low Battery | Install new batteries or connect external power supply |
| | Damaged circuit board | Depot repair |
| Inadequate or low luminance at the greatest luminous intensity | Low battery | Install new batteries or re-charge the batteries |
| Inaccurate battery capacity test: low battery in high luminance and full battery in low luminance. | The battery capacity indicates the length of time available for the use in the current luminance. Higher luminance required more power and the length of time available for use will be shortened, so the battery capacity shown gets lower | Normal phenomenon and no measure needed |
| The video light can't be controlled remotely. | Too far away | Ensure the remote control distance is no more than 15 meters |
| | Remote control and LED light are on different channels | pls refer to User Manual to reset channel |

The functions in this manual are based on the test conditions of our company. Further notice will not be given if the design and specifications change.
SHENZHEN YONGNUO PHOTOGRAPHY EQUIPMENT Co.Ltd.
Add: Building A, Shenfubao modern optics factory, Kengzi Street, Pingshan District, Shenzhen
TEL: 0755-8376 2448
Wed: www.hkyongnuo.com
Manufacture address: 4/F, Building 2, Donglongxing Technology Park, East Huaning Road, Dalang Street, Longhua District, Shenzhen
After-sales Service TEL: 400-0013-888